

## SERIES SVTC CLAMP TYPE SANITARY SIGHT GLASSES |

Series SVTC is designed to provide low cost viewing in sanitary applications found in the food, dairy, and pharmaceutical industries. These sight glasses are constructed using a standard sanitary clamping system which provides a uniform leak-tight assembly. This construction offers a fast method of assembly or disassembly without the need to use tools. Access to all sight glass components or the vessel's interior is easily obtainable for cleaning or sampling. This sight glass is especially suited for those applications requiring frequent, such as daily, cleaning.

Unless stated otherwise Series SVTC Sight glasses are supplied without the welding ferrule, clamp or clamp gasket. These items are available as options upon request.

### DESIGN CONDITIONS:

**Pressure:** Up to 150PSIG/FV@500°F depending on size, lens type and gasket material. Higher pressure ratings available. Consult factory for details.

**Temperature:** Tempered Borosilicate Glass, ≤ 500°F  
Fused Quartz Glass, >500°F  
Lexan/Acrylic (Non-Glass), ≤ 200°F

### STANDARD MATERIALS OF CONSTRUCTION:

| Description | Material  |
|-------------|---|
| Lens        | Type 316 Stainless Steel [Standard]   |
| Retainer:   | Other materials [Upon Request]  |
| Lens:       | Tempered Borosilicate Glass, ≤ 500°F [Standard]<br>Fused Quartz Glass, >500°F [Option]<br>Lexan/Acrylic (Non-Glass), ≤ 200°F [Option]<br>Other materials [Upon Request] |
| Cushions:   | Compressed Fiber [Standard]<br>PTFE, Other materials [Upon Request]   |

### OPTIONAL ACCESSORIES:

- a. Clamp Type Seal Gaskets [EPDM, TFE, etc.]
- b. Sanitary Clamps
- c. Tank Weld Ferrules
- d. Series PL, MSL, SLEX, REX, FIBERLUX Illuminators
- e. Type I Window Wipers

### STANDARD DOCUMENTATION:

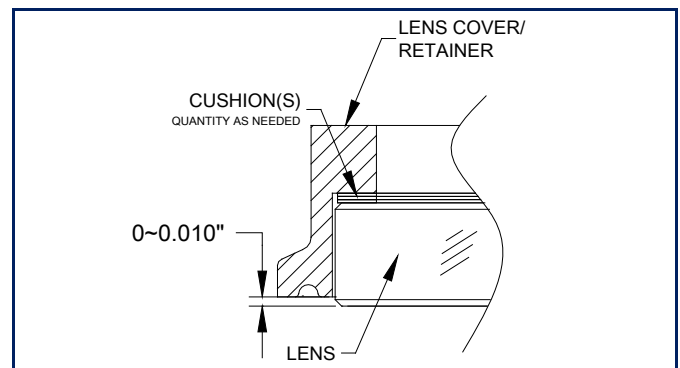
- a. Certified Material Test Report [CMTR] for retainer.
- b. Certificate of Compliance



PAPAILIAS, Inc. Series SVTC - Clamp Style Sanitary Sight Glass

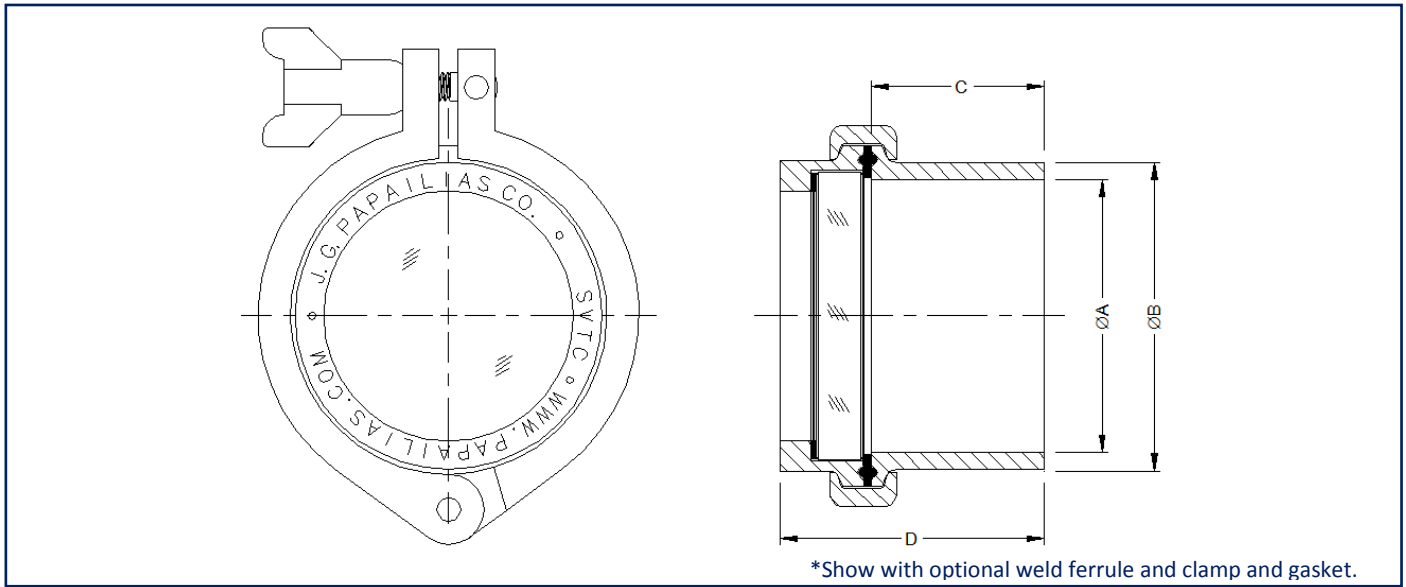


PAPAILIAS, Inc. Series SVTC - Clamp Style Sanitary Sight Glass  
[Shown w. Optional Type 1 Wiper, clamp & ferrule]



Series SVTC Clamp Style Sanitary Sight Glass - Schematic View

# DATA SHEET | SANITARY CLAMP STYLE SIGHT GLASSES SERIES SVTC



| SIZE   | DIMENSIONS |     |       |     |                                 |    |                                 |    |             |     | OPTIONS  |           |          |              |
|--------|------------|-----|-------|-----|---------------------------------|----|---------------------------------|----|-------------|-----|----------|-----------|----------|--------------|
|        | A          |     | B     |     | C                               |    | D                               |    | EST. WEIGHT |     | PL Light | MSL Light | SLEX REX | Type 1 Wiper |
|        | Inch       | mm  | Inch  | mm  | Inch                            | mm | Inch                            | mm | Lbs         | Kgs | N/A      | •         | N/A      | N/A          |
| 1"     | 0.870      | 22  | 1.160 | 29  | 1 <sup>5</sup> / <sub>8</sub>   | 41 | 2 <sup>7</sup> / <sub>16</sub>  | 62 | 2           | 1   | N/A      | •         | N/A      | N/A          |
| 1-1/2" | 1.370      | 35  | 1.676 | 43  | 1 <sup>5</sup> / <sub>8</sub>   | 41 | 2 <sup>7</sup> / <sub>16</sub>  | 62 | 3           | 1   | N/A      | •         | N/A      | N/A          |
| 2"     | 1.870      | 47  | 2.192 | 56  | 1 <sup>3</sup> / <sub>4</sub>   | 44 | 2 <sup>11</sup> / <sub>16</sub> | 68 | 4           | 2   | N/A      | •         | •        | N/A          |
| 2-1/2" | 2.370      | 60  | 2.708 | 69  | 1 <sup>3</sup> / <sub>4</sub>   | 44 | 2 <sup>11</sup> / <sub>16</sub> | 68 | 6           | 3   | N/A      | •         | •        | N/A          |
| 3"     | 2.870      | 73  | 3.224 | 82  | 1 <sup>13</sup> / <sub>16</sub> | 46 | 3                               | 76 | 8           | 4   | •        | •         | •        | •            |
| 4"     | 3.834      | 97  | 4.256 | 108 | 2 <sup>1</sup> / <sub>2</sub>   | 54 | 3 <sup>3</sup> / <sub>8</sub>   | 86 | 11          | 5   | •        | •         | •        | •            |
| 6"     | 5.758      | 146 | 6.192 | 157 | 1 <sup>1</sup> / <sub>2</sub>   | 32 | 3 <sup>3</sup> / <sub>4</sub>   | 95 | 8           | 4   | •        | •         | •        | •            |
| 8"     | 7.758      | 197 | 8.192 | 208 | 2 <sup>1</sup> / <sub>2</sub>   | 64 | 3 <sup>3</sup> / <sub>4</sub>   | 95 | 12          | 5   | •        | •         | •        | •            |

## ORDERING INFORMATION:

/ 
  / 
  / 
  / 
  /

**Illuminator**

Option:

- PL80 [ for 3"]
- PL100 [ for 4"]
- PL125 [ for 6"]
- PL150 [ for 8"]
- MSL-100
- MSL-HI-LED
- SLEX-100
- REX-100
- SLEX-HI-LED

**Size:**

- 1" SVTC
- 1<sup>1</sup>/<sub>2</sub>" SVTC
- 2" SVTC
- 3" SVTC
- 4" SVTC
- 5" SVTC
- 6" SVTC
- 8" SVTC

**Weld Ferrule:\***

- Blank = None [Std]
- 304 = 304/304L SST
- 316 = 316/316L SST
- C22 = Alloy C22
- C276 = Alloy C276
- A20 = Alloy 20
- Other - Specify

\*Standard heavy wall tank ferrule.

**Lens Retainer:**

- 316 = 316/316L SST [Std]
- C22 = Alloy C22
- C276 = Alloy C276
- A20 = Alloy 20
- Other = Specify

**Lens:**

- TBS - Temp Borosilicate [Std]
- QTZ - Fused Quartz
- ACR - Cast Acrylic
- LEX - Polycarbonate
- Other - Specify

**Seal Gasket:**

- Blank = None [Std]
- EPDM = EPDM
- TFE = ePTFE
- FKM = Viton/FKM
- SIL = Silicone
- NEO = Neoprene
- GPH = Graphite
- Other = Specify

/  **Note: ASME code calculations and any resulting additional material needed to reinforce sight glass opening to meet ASME code is the responsibility of the buyer.**

**Wiper Option:**

- TY1WW - Type 1 Wiper
- [Sizes ≥ 3']

**Sample Part #:** PL100/4"SVTC/316/TBS/TY1WW

4" Series SVTC Sanitary Clamp Type Style Light and Sight Glass with 316/316L Stainless Steel Lens Retainer, Tempered Borosilicate Glass Lens and Compressed Fiber Lens Cushions. Fitted with PAPAILIAS Series PL1-00 Light Fixture and Type 1 Window Wiper. [Tank weld ferrule, clamp and clamp gasket by others]